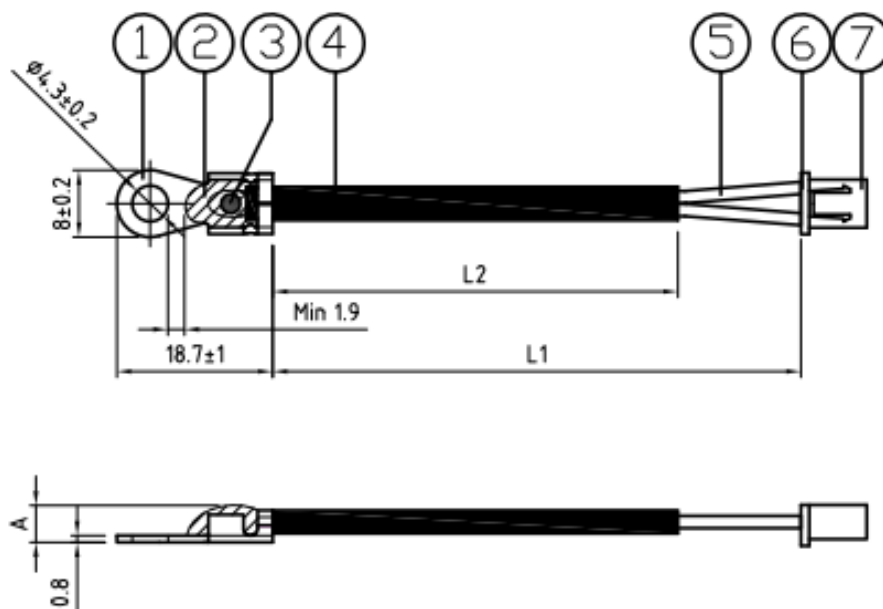


Structure and Dimensions

單位：mm



Dimensions

Symbol	L1	L2	A	
尺寸(mm)	Option	Option	Max 5.0	

Item	Part Name	Part P/N	Q'TY	Remark
1	TERMINAL	B40420BL-2 (Tinning)	1	
2	COATING RESIN	BLACK EPOXY		
3	NTC	Option	1	
4	TUBE	Option		
5	LEAD WIRE	Option	1	
6	HOUSING	Option		
7	TERMINAL	Option		



Electrical Characteristics

Part No.	Zero Power Resistance at 25°C	Tolerance of R_{25}	$B_{25/85}$ Value	Tolerance of B Value
	$R_{25}(K\Omega)$	(± %)	(K)	(± %)
JAS	Option	Option	Option	Option

Part No.	Dissipation Factor	Thermal Time Constant	Operating Temperature Range
	δ (mW/°C)	τ (sec.)	$T_L \sim T_U$ (°C)
JAS	Approx. 2.0	Approx. 10	-40 ~ +105

Mechanical Characteristics

Item	Test condition and method	Technical Requirements
Tensile	Applying 9.8N (1KGF) ,last 1 minute.	No obvious damage
Free fall	After 5 times natural fall to a maple board from 1m high.	No obvious damage

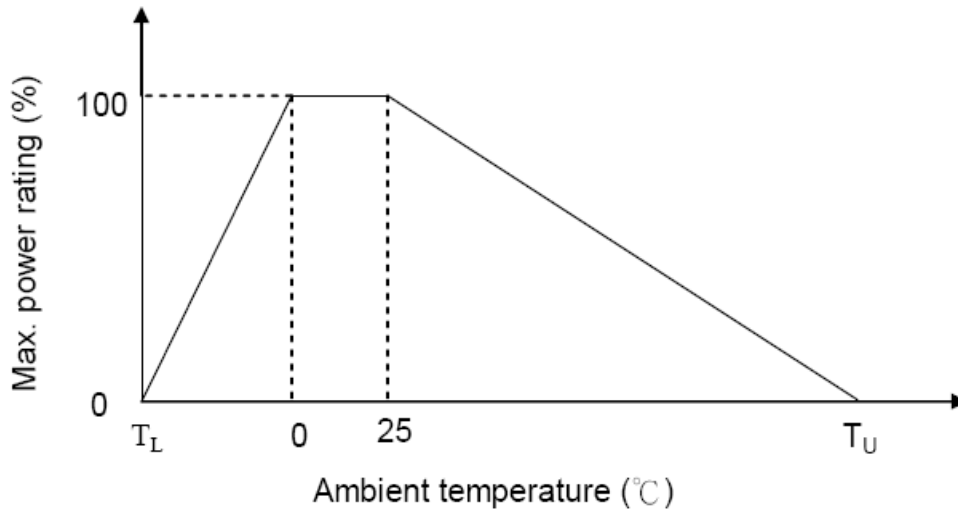


Reliability

Item	Standard	Test conditions/Methods	Specifications	
High Temperature Storage	IEC60068-2-2	105±5°C,1000±24hrs	No visible damage $\Delta R_{25} \leq \pm 3\%$	
Low Temperature Storage	IEC60068-2-1	-20±5°C,1000±24hrs	No visible damage $\Delta R_{25} \leq \pm 3\%$	
Damp Heat Steady State	IEC60068-2-3	40±2°C , 90~95% RH, 1000±24hrs	No visible damage $\Delta R_{25} \leq \pm 3\%$	
Thermal Shock	IEC60068-2-14	The conditions shown below shall be repeated 5 cycles		
		Step	Temperature (°C)	Period (minutes)
		1	-20±5	30±3
		2	Room temperature	5±3
		3	105±5	30±3
4	Room temperature	5±3		
			No visible damage $\Delta R_{25} \leq \pm 3\%$	
Life Test	IEC60539-1 4.26.1	25±5°C , Pmax, 1000±24hrs	No visible damage $\Delta R_{25} \leq \pm 5\%$	
Insulation Resistance		500V DC	$\geq 100M\Omega$	
Withstand Voltage		1200V AC, 5mA	≥ 3 Sec	



Power Derating Curve



Note : T_L = Minimum operating temperature (°C)
 T_U = Maximum operating temperature (°C)

RoHS Compliant Declaration

We hereby declare that the components delivered to your company are compliant with RoHS directive 2011/65/EU

Storage condition of products

(I) Storage Conditions :

- 1.Storage Temperature : -10 ~ +40°C
- 2.Relative Humidity : $\leq 75\%RH$
- 3.Keep away from corrosive atmosphere and sunlight.

(II) Period of Storage : 1 year